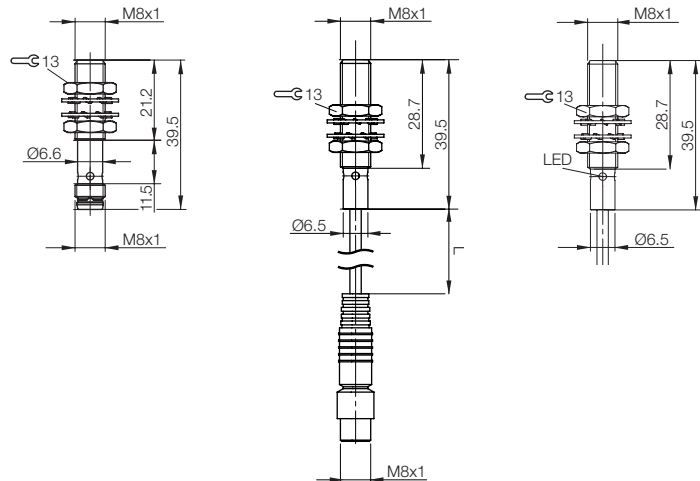




Type	Diffuse sensor with background suppression	Diffuse sensor with background suppression	Diffuse sensor with background suppression
Detection range	20 mm fixed	20 mm fixed	20 mm fixed
PNP, NO	BOS01H6	BOS01H2	BOS01H9
NPN, NO	BOS01H7	BOS01H3	
Light type	Red light, PinPoint LED	Red light, PinPoint LED	Red light, PinPoint LED
Supply voltage U_s	10...30 V DC	10...30 V DC	10...30 V DC
Switching frequency	500 Hz	500 Hz	500 Hz
Degree of protection per IEC 60529	IP67	IP67	IP67
Ambient temperature T_a	-5...+55 °C	-5...+55 °C	-5...+55 °C
Material	Housing: Stainless steel 1.4404 Optical surface: PMMA	Housing: Stainless steel 1.4404 Optical surface: PMMA	Housing: Stainless steel 1.4404 Optical surface: PMMA
Connection	M8 connector, 3-pin	0.2 m PUR cable with M8 connector, 3-pin	2 m PUR cable, 3 × 0.14 mm ²



Normally closed variants on request



Laser Through-beam Sensors BOS 08E

Small, accurate, precise

Excellent performance

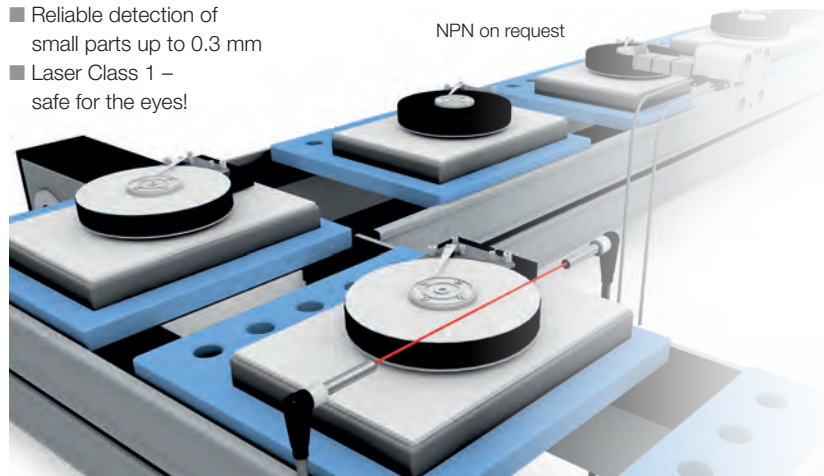
The Balluff laser through-beam sensor BOS 08E is an innovative, compact product with a high performance level. Nothing else produces comparable results under similar conditions. Its excellently focused light beam is able to detect even the smallest of parts, grooves or holes with absolute reliability. The laser through-beam sensor very accurately monitors stack heights, for example. Their highly compact design means multiple sensors can be installed in rows in narrow spaces.

Benefits

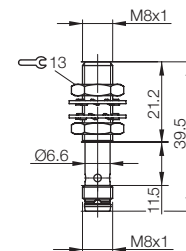
- Compact design for installation and use in the smallest of spaces
- Rugged stainless steel housing
- Cylindrical design – easy assembly
- Reliable detection of small parts up to 0.3 mm
- Laser Class 1 – safe for the eyes!



Type	Through-beam sensor	
Detection range	3 m	
PNP, NO	Receiver	
	Emitter	BOS01U8
Emitter, light type	Laser, red light	
Laser Class	1	
Smallest detectable part	up to 0.3 mm	
Degree of protection per IEC 60529	IP67	
Ambient temperature T _a	-5...+55 °C	
Material	Housing	Stainless steel
	Optical surface	PMMA
Connection	M8 connector, 3-pin	



NPN on request



Position monitoring in an assembly line for hard drives



Through-beam sensor 3 m	Through-beam sensor 3 m	Through-beam sensor 3 m	Through-beam sensor 3 m	Through-beam sensor 3 m
BOS01U7	BOS01UL	BOS01U3	BOS01U1	BOS01UH
Laser, red light	Laser, red light	Laser, red light	Laser, red light	Laser, red light
1	1	1	1	1
up to 0.3 mm	up to 0.3 mm	up to 0.3 mm	up to 0.3 mm	up to 0.3 mm
IP67	IP67	IP67	IP67	IP67
-5...+55 °C	-5...+55 °C	-5...+55 °C	-5...+55 °C	-5...+55 °C
Stainless steel	Stainless steel	Stainless steel	Stainless steel	Stainless steel
PMMA	PMMA	PMMA	PMMA	PMMA
0.2 m PUR cable with M8 connector, 3-pin	2 m PUR cable, 3 × 0.14 mm ²	M8 connector, 3-pin	0.2 m PUR cable with M8 connector, 3-pin	2 m PUR cable, 3 × 0.14 mm ²

